

# MARSH® Unicorn®

Large Character Ink Jet Printer

## Ink Jet.

Laser.

Thermal Transfer.

Labelers.

Track & Trace.

Supplies.

Parts & Service.



The Marsh Unicorn® printer is a compact, single line, ink jet system. Whatever your coding needs, the Unicorn system can be programmed quickly and easily. Product names, identification numbers, automatic production counts and accurate-to-the-minute time code capabilities are available at the touch of a button. The Unicorn printer not only marks cartons, but also provides production information vital to inventory and quality control.

## Incredibly easy to use and maintain

- Easy-to-use icon keys allow you to adjust and edit product codes with a few simple keystrokes
- Customize time and date codes, expiration dates, rollover hour and more
- All-in-one, low-cost solution for low ink usage and low maintenance requirements
- Hard-working design provides outstanding reliability and unsurpassed performance

## Selectable print heights and fonts

- Reduce training time and improve operator efficiencies with built-in selectable languages
- Programmable in 13 different languages
- Menu driven programs include electronically accurate automatic date

## Out of the box and on the job in minutes

- Mounted directly to a conveyor, it includes: controller/key-pad, printhead, power pack, power cord, mounting brackets and pressurized ink bottle
- Can be assembled and installed in minutes; simply plug it in and you are ready to print

**VIDEOJET®**  
Uptime Peace of Mind®



### System Includes

Controller/Input Device; Printhead; Universal Power Supply; Mounting Bracketry and Starter Ink Kit

### Built-in Software Features

Customized time and date codes  
Rollover hour  
Expiration date for automatic printing of up to two distinct dates of expiration  
Shift organizer for automatic coding by particular shifts (up to 4 shifts)  
Print delay for message placement  
Character width adjustment  
Consecutive incremental numbering

### Selectable Languages (Built-in)

Dutch; English; Finnish; French; German; Greek; Italian; Katakana; Portuguese; Spanish; Swedish  
Special application units include: Arabic; Chinese; Hebrew

### Print Heights

Standard Print Height: 3/8 inch (10 mm)  
Optional Heights: 5/16 inch (7.9 mm); 1/2 inch (12.7 mm); 3/4 inch (20 mm)

### Character Fonts

7 x 5 dot matrix, 54 printable ASCII characters  
Printable accented characters

### Conveyor Line Speed

20 feet/min. (6.1 m/min.) to 200 feet/min. (61.0 m/min.)

### Message Length

Up to 40 characters

### Message Storage Capacity

Up to 52 messages

### Operating Temperature Range

40°F to 120°F (4°C to 49°C)

### Electrical

System uses a universal switching power supply.

### Ink System

Internally regulated ink system; factory set; no adjustment necessary

### Ink

8 oz. (0.23 liter) bladder pressurized, non-aerosol ink bottle

### Shipping Weight

14 lbs. (6.4 kg)

### Mounting Bracketry

15 inch (38.9 cm) and 9 inch (22.8 cm) tubing with 1.0 inch (2.54 cm) outside diameter (OD)

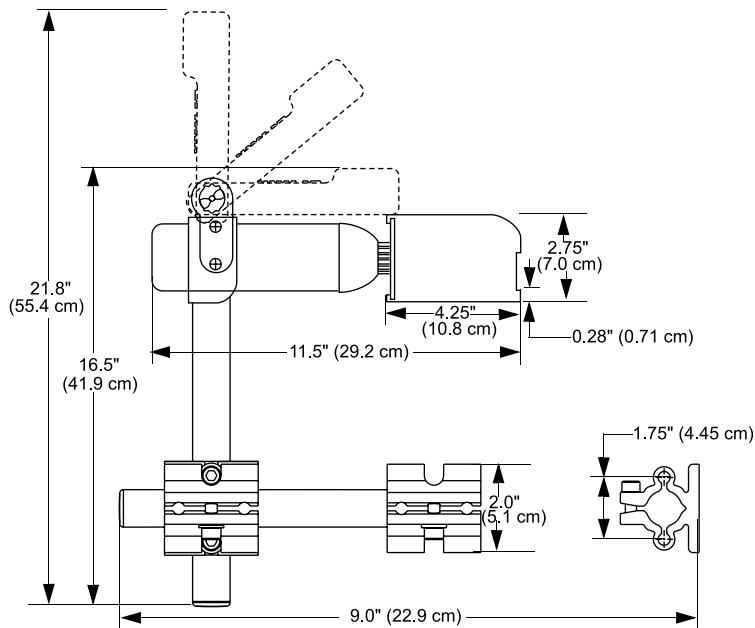
### Optional Bracketry for Special Installations

Long Reach Bracket Kit available for special mounting situations  
Remote Bracket Assembly Kit enables printhead to be mounted up to 20 feet (6.1 m) from controller

CERTIFIED  
ISO 9001  
DOCUMENTED QUALITY



## Dimensions



800-843-3610

[www.videojet.com](http://www.videojet.com) / [info@videojet.com](mailto:info@videojet.com)

Videojet Technologies Inc. / 1500 Mittel Blvd.

Wood Dale IL 60191-1073 / USA

Phone 630-860-7300 Fax 630-616-3623

