

Videojet® 1210

Small Character Ink Jet Printer

Ink Jet.

Laser.

Thermal Transfer.

Labelers.

Track & Trace.

Supplies.

Parts & Service.

Simpler operation. Less maintenance. Superior print quality. The all-new Videojet 1210 continuous ink jet printer is engineered to keep your line up and running longer. It's designed for customers who print six hours to eight hours per day, five days per week — providing up to 18 months of production before required preventive maintenance.

Advanced capabilities

- Up to 3 lines of code with speeds up to 533 ft./min. (162 m/min.)
- Standard USB with logo and memory back up features

Simple to maintain

- 6,000-hour core life
- No mess, no waste, no mistake fluid cartridge delivery system

Superior environmental protection

- IP55 washdown protection standard



VIDEOJET®
Uptime Peace of Mind®



Line Speed Capability

Can print 1 to 3 lines of print at speeds of up to 533 ft./min. (162.5 m/min.) (10 characters per inch, single line of print)

Font Matrix Configuration

Single-line: 5x5, 5x7, 7x9, 11x16, 17x24

Twin-line: 5x5, 5x7, 7x9

Tri-line: 5x5, 5x7

Nominal Character Height

Selectable from 0.079" (2 mm) to 0.279" (8.5 mm), depending on font

Throw Distance

Optimal: 0.472" (12 mm)

Range: 0.197" (5 mm) to 0.591" (15 mm)

Keyboard

Membrane style with tactile feedback, including 72 numeric, alphabetic, and special function keys. PC-style layout to approximate international PC convention.

Display

320x240 Bright blue backlit 5.7" LCD display.

WYSIWYG onscreen message editing

Custom Logo/Graphics

Can be created by individual user on printer or PC with optional Videojet Logo Creator software

Character Sets

American, Arabic, Bulgarian, Chinese, East European, European, Greek, Hebrew, Hungarian, Italian, Japanese, Japanese/Kanji, Japanese/Katakana, Korean, Russian, Simplified Chinese, Scandinavian, Thai, Traditional Chinese, Turkish, Vietnamese

Languages and Interface Options

English, Arabic, Bulgarian, Czech, Danish, Dutch, Finnish, French, German, Greek, Hebrew, Hungarian, Italian, Japanese, Korean, Norwegian, Polish, Portuguese, Russian, Simplified Chinese, Spanish, Swedish, Thai, Traditional Chinese, Turkish and Vietnamese

Data Interface

Connector[®] via optional RS232 or RS 485

Message Storage

100 complex messages. Unlimited storage using USB.

Console Dimensions

Stainless steel

21.3" (541 mm) high

13.6" (345 mm) wide

11.2" (285 mm) deep

Environmental Protection

IP55

Printhead

Heated printhead

Diameter: 1.63" (41.3 mm)

Length: 9.47" (240.5 mm)

Printhead Umbilical

Ultra flexible

Length: 6.56' (2 m)

Diameter: 0.91" (23 mm)

Bend radius: 3.00" (76.2 mm)

Fluids Containers

Ink Smart Cartridge™ 0.793 qt. (750 ml)

Make-up Smart Cartridge 0.793 qt. (750 ml)

Temperature/Humidity Range

41°F to 113°F (5°C to 45°C)

0% to 90% RH non-condensing

Electrical Requirements

Nominal supply power 100-120 / 200-240 VAC at 50/60 Hz., 120 W

Approximate Weight

Unpacked and dry: 39.68 lbs. (18 kg)

Options

Positive air pump

Dry air kit for high humidity (requires plant air)

Product detect, relay, RS 485 expansion board

RS232, encoder, beacon expansion board

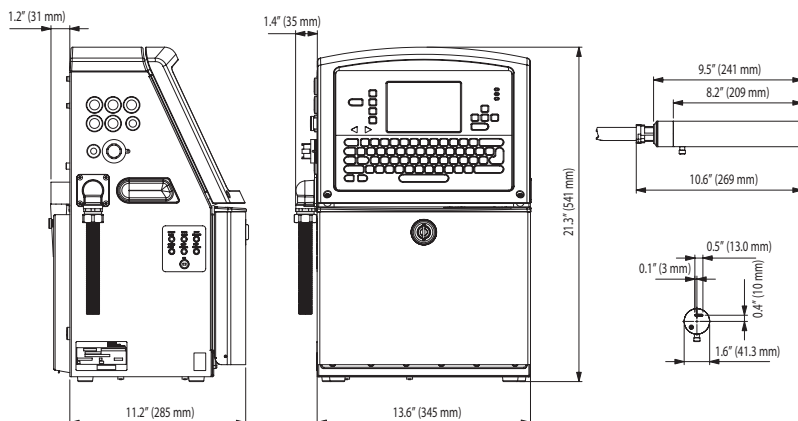
9.8-foot (3 m) umbilical

Wide range of accessories

CERTIFIED
ISO 9001
DOCUMENTED QUALITY



Dimensions



800-843-3610

www.videojet.com / info@videojet.com

Videojet Technologies Inc. / 1500 Mittel Boulevard
Wood Dale IL 60191-1073 / USA

Phone 630-860-7300 Fax 630-616-3623

