



The most  
compact fiber laser  
marking head

Laser Marking Systems

# **Videojet® 7340 & 7440 Fiber Lasers** Featuring Lightfoot™





Crisp, durable codes  
that last the lifetime  
of the product



When manufacturing space is limited, you need an innovative laser marking solution...



## Introducing Lightfoot™, the world's smallest laser marking head!

Videojet has redefined fiber laser technology with the Videojet 7340 (20-Watt) and 7440 (30-Watt) fiber laser marking systems, resetting the standard for simplified laser integration into packaging lines.

They are the first Videojet fiber lasers to feature our Lightfoot marking head, making them the easiest, most compact fiber lasers to integrate, operate and service.

The Lightfoot marking head is one of a kind. The smallest in the industry both in size and weight, it is IP69 rated for use in washdown and harsh environments.



# Evolved to fit the most restrictive spaces

Developed to meet the needs of manufacturers who work within small spaces, the Videojet 7340 and 7440 fiber lasers feature the Lightfoot marking head, the most compact fiber laser marking head on the market.

The 7340 and 7440 fiber lasers are an ideal solution for contract packagers and OEM manufacturers in the Food, Beverage, and Consumer Packaged Goods industries who have space limitations, are looking for simple integrations, or do frequent rapid changeovers.



## Simple integration

Achieve easy integration and greater versatility in tight spaces with a fiber laser marking head that weighs less than 1kg / 2.2 lbs – the smallest and lightest fiber laser head on the market.

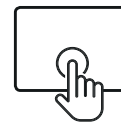
Compact in size, the 7340 and 7440 fiber laser marking head can be easily integrated into production lines or complex machinery, allowing for an increased range of laser installation opportunities.



## Faster installation

Benefit from a versatile fiber laser solution that is fast to set up, with virtually no consumables. Reduced mounting bracketry offers easy adjustment of the fiber laser marking head, aiding faster set-up and repositioning of the laser head.

Featuring a pilot beam-based focal alignment installation process, the 7340 and 7440 offer easier, faster and more precise installation.



## Seamless operation

Control the 7340 and 7440 fiber lasers through a range of familiar, easy-to-use Videojet interfaces, ensuring seamless operation within your production line.

Videojet Touch Control Software (TCS+) offers remote control through either the 10" tablet-like touchscreen or from compatible browser-based devices.

The advanced Videojet CLARiTY™ laser controller is an alternative user interface, featuring an intuitive touchscreen that will be familiar to users of other Videojet marking and coding solutions.



## Most compact fiber laser

Weighing less than 1kg / 2.2 lbs, and similar in size to a Videojet Continuous Inkjet printhead



## IP69 marking head

Benefit from a hygienic, water and dust tight fiber laser marking head, protected against close-range high-pressure, high-temperature washdowns



## Fast marking speeds

Up to 2,000 characters per second



## Permanent, traceable, and readable codes

Crisp, durable codes that last the lifetime of the product

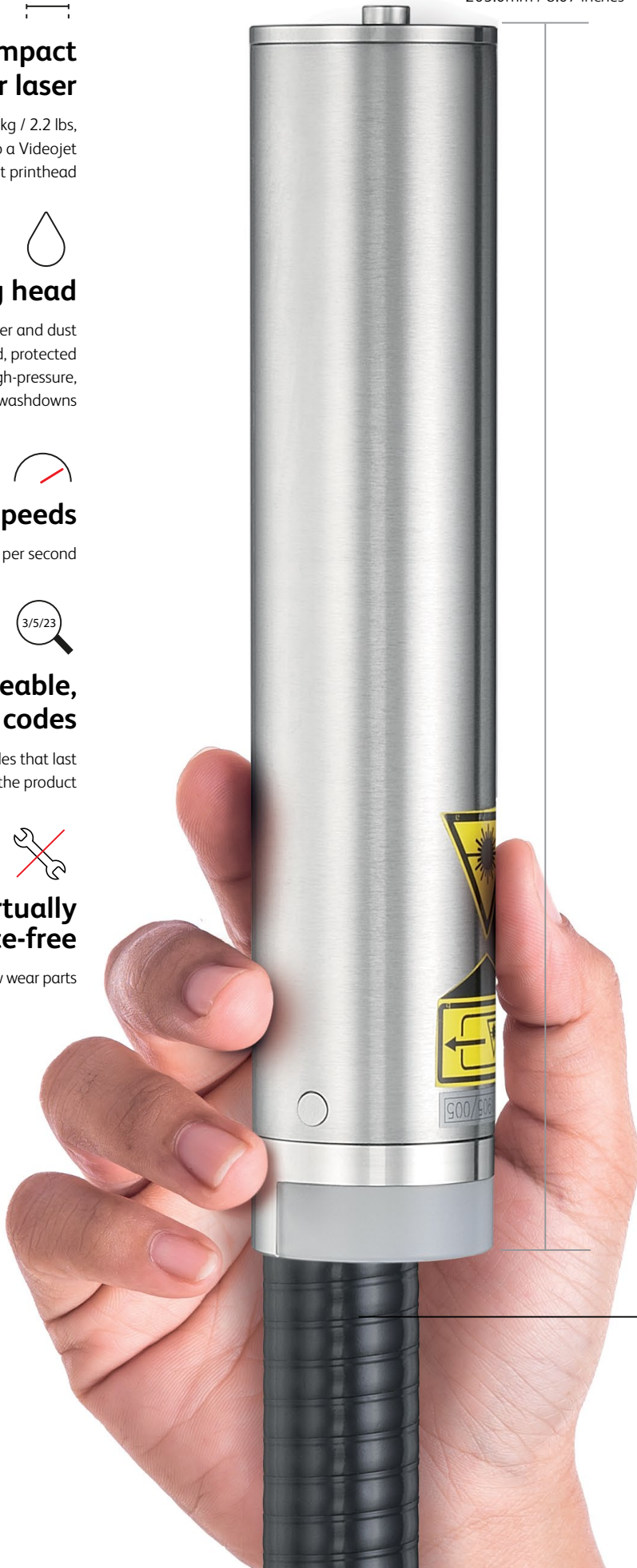


## Virtually maintenance-free

Very few wear parts

## Actual size

205.0mm / 8.07 inches



## Fast product changeovers

Achieve easy set-up and fast product changeovers with the integrated pilot beam focus finder that can reflect the code and actual size of the marking field



## Easy-to-use user interfaces

Familiar touch-screen color user interface



## Reduced mounting bracketry

The lightest marking head in the industry requires less mounting bracketry, aiding fast setup and repositioning



## Select between 3 or 10m umbilical

Offers flexibility of supply unit position

# The compact fiber laser that is easy to:

# Integrate

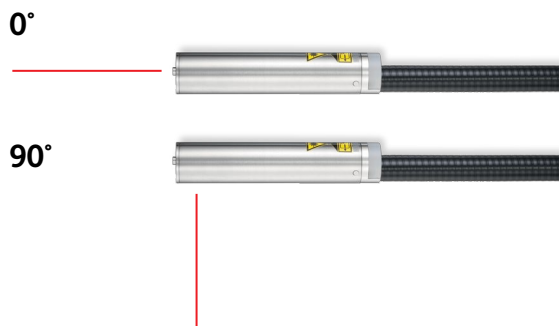
## Optimized for washdown and harsh environments

Developed for manufacturers who require problem-free usage in washdown and/or harsh environments, the Lightfoot fiber laser marking head is IP69 rated and will not require any additional housing or protective equipment.



## Option of 0° or 90° marking head

The 0° or 90° marking heads make integration into tight production machines even easier. The 7340 and 7440 fiber laser head can be fit into tight mechanical spaces unlike any other laser marker.



## Available with optional EtherNet / IP™ and PROFINET®

Easily adapt your laser marking solution to fit your line with optional EtherNet / IP™ and PROFINET industrial protocols, allowing for greater control, communication and data collection.

**EtherNet/IP**  
ODVA

**PROFINET**  
®

\* Ethernet/IP is a trademark of ODVA. PROFINET is a registered trademark of Profibus & Profinet International (PI).

## Umbilical lengths

Whether the production line design allows the marking head and supply unit to be close to each other or requires further distance, two umbilical length options are available to ease integration and deliver flexibility in positioning the laser.





# Operate

Available with virtually any Videojet laser marking system, our range of laser controllers allows for simple operation and message creation, helping to ensure seamless operation in production lines with a familiar look and feel.



Feature	TCS+ in browser	TCS+ on TU430	CLARITY™	SmartGraph	Datamaster
IP65 design for washdown		✓			
Code Assurance			✓		
Color touch screen	✓*	✓	✓		
Browser enabled device interface	✓				
PC software interface	✓**			✓	✓
Simple message creation	✓	✓	✓		
Complex message creation				✓	
Variable data requirement					✓
Multiple laser device control	✓***				✓

## Videojet TCS+

Operators benefit from automated message and simple code entry; an event logging feature helps to track system changes; and the enhanced user access control minimizes user induced coding errors and downtime.

\* On tablet \*\* In browser on PC

\*\*\* Each device controlled in an individual browser window.

## Videojet CLARiTY

Laser controller features built-in Code Assurance software to help minimize coding and marking errors caused by operator error.

## Videojet SmartGraph

is a PC software for the creation of more sophisticated and complex job creation, such as mark-on-the-fly applications, alphanumeric codes, serial numbers, barcodes, and 2D codes.

## Videojet Datamaster

is a tool to feed a large amount of variable data to the laser, e.g. for a lottery application.

# Service

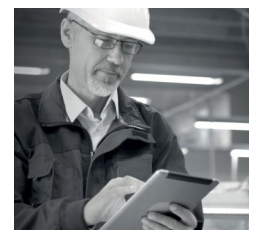
## Preventive

Videojet offers a range of fume extraction systems and filters to help keep your production area clean and maximize uptime. Fume extraction and filters are important elements of preventive maintenance, helping to remove the smoke and particulate debris generated during the marking process.

## Remote

### VideojetConnect™ Remote Service

allows you to monitor basic printer needs while away from the production line. In addition, you can have Videojet monitor critical alerts and proactively message you when potential downtime develops.



# Meeting your standards, whatever your requirements

**Videojet understands the difficulties of trying to fit a new laser onto a production line, resulting in manufacturers often having to trade-off optimal code quality, thus potentially increasing their scrap, just to make the printer fit.**

With the Videojet 7340 and 7440 marking head measuring just 41.3 mm in diameter, it is designed to fit anywhere on your line to help ensure that you can achieve optimal focus and power density.

These lasers have been specifically designed for...



Foils/films

## Food, Beverage and Consumer Packaged Goods (CPG) Manufacturers

Videojet understands the additional challenges of cleaning regimes and processes that food, beverage, and CPG manufacturers face on their production lines.

To meet these needs, the IP69 rated marking head has been engineered to operate under conditions where washdown is an essential part of the daily operational process. The hygienic design helps eliminate dust and water ingress, eliminating the need for the marking head to be removed from the line during washdown.

With the 7340 and 7440 lasers, you can maintain an efficient cleaning operation and faster restart of the line knowing the marking head is protected for optimal productivity, without compromising on code quality.

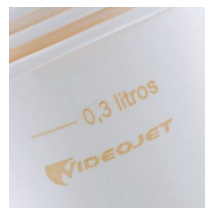
Reduce your scrap and rework cost caused by coding errors by up to 33% using the integrated pilot beam focus finder.



Metal containers



Food/beverage cans



Cups



Beverage caps







Plastic and metal



Vial caps

## Parts-Marking Manufacturers

Fiber laser marking is an ideal solution for many parts-marking manufacturers where complex, permanent codes are required to be marked directly onto various part shapes, sizes, and substrates.

Specifically engineered for marking on high-density plastics, aluminum, and stainless steel, the 7340 and 7440 fiber lasers provide you with permanent, traceable, and readable codes.

This is particularly important for the automotive and aerospace parts manufacturers who require DataMatrix codes and / or human-readable information that needs to be delivered in a durable format to last throughout the lifetime of the product.



Automotive plastic parts



Electronic plastic parts



Metal parts



Stainless steel parts

## Pharmaceutical and Cosmetics Manufacturers

The Videojet 7340 and 7440 fiber laser marking systems can mark permanent codes at high production speeds on multiple, high-density packaging substrates across a wide range of materials including metals, plastics, and foils without compromising on code quality, uptime performance, code length or content.

When packaging types and materials vary from product to product and you need the flexibility to keep up with regulations in your market, the 7340 and 7440 lasers are compact, flexible marking solutions. Increasing efficiency and protecting your brand, these laser marking systems can provide the ideal combination of marking speed and permanent codes, to help ensure product security.



Blister packs



Foil packaging



Tubes



Paper cartons

# Focus peace of mind is built-in

## With the integrated pilot beam focus finder



### Find your focus by simply turning it on!

Developed with simple usability in mind, the Lightfoot marking head features an integrated pilot beam focus finder.

The pilot beam offers easier, faster and more precise focal alignment during the installation process or when needing frequent line and /or product changeovers.

There is no need for measurement tools or awkward adjustments as operators can easily see the pilot beam is in focus and the laser is ready to code with the highest quality, thanks to the built-in system using triangulation of two beams.



Integrated laser beams triangulate to place the dot inside the circle when focus is achieved



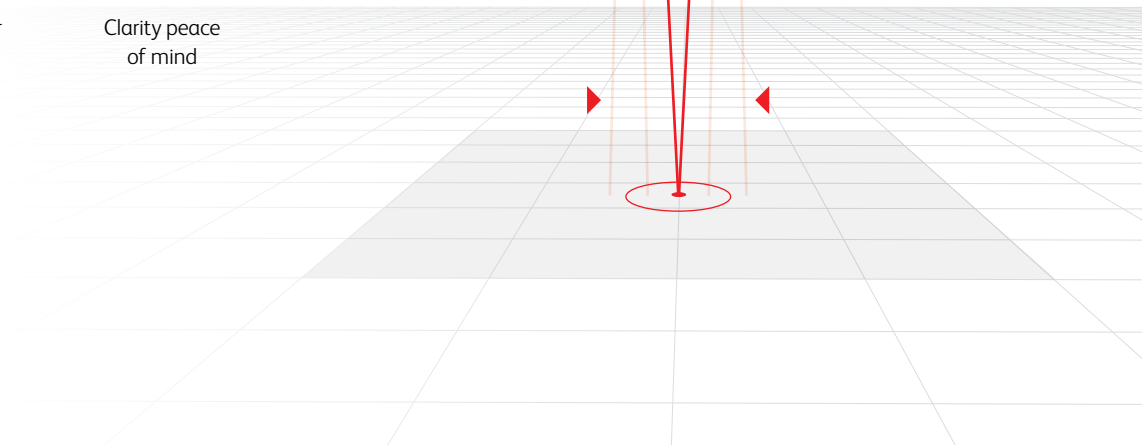
No mechanics or tools



Focus finder built-in



Clarity peace of mind



## Uptime Advantage

- Achieve simple integration, reduced installation costs, and an increased freedom of positioning with an industry-first, compact fiber laser marking head
- Simplify laser head adjustment and positioning with reduced laser head mounting bracketry
- Easily migrate to a laser marking solution, with the added benefit of reduced consumables
- Reduce the need for additional housing or equipment with a water and dust tight IP69 laser marking head, facilitating worry-free usage in washdown and harsh environments

## Code Assurance

- Control the laser through a range of familiar, easy-to-use Videojet user interfaces, reducing operator training needs and the risk of product rework and recalls
- Benefit from simple operation, message creation, and reduced operator errors with the Videojet Touch Control Software (TCS+) or the Videojet CLARiTY™ laser controller



Original Equipment Manufacturers

# A configured solution for your customers' applications

Videjet understands that integration can be challenging in terms of space and the need for mounting accessories. The 7340 and 7440 lasers are compact, flexible and easy solutions and the compact accessories have been engineered for seamless integration and to meet the needs of your customers' applications.

## Mechanical integration

Videjet products move in a way that works for you. To help ensure optimal line and coding performance, the 7340 and 7440 fiber lasers offer the smallest laser head dimensions for simple integration into complex machinery and a wide range of bracketry to physically mount the laser marker into your machine without disrupting its operation.

## Configurability

Videjet can configure our fiber lasers to fit within the workflow of your equipment. With its 0° and 90° marking heads, 3 focal distances, 2 power levels and 2 umbilical length options, these lasers can be installed in a variety of positions to fit in tight places, for example, within a cartoner.

## Built-in Productivity

- Mark up to 2,000 characters per second
- Get closer to the product with the smallest fiber laser marking head on the market
- Benefit from easier, faster and precise focal distance during line or product changeover with pilot beam-based focal alignment installation process

## Simple Usability

- Achieve easy set-up and fast product changeovers with the integrated pilot beam focus finder that can reflect the code and actual size of the marking field
- Benefit from easy serviceability with the ability to quickly remove or replace the fiber laser unit either on the production line or within complex machinery
- Focus more on production and less on user interaction and maintenance with an easy-to-use laser solution that is intuitive to the operator without the need for additional training

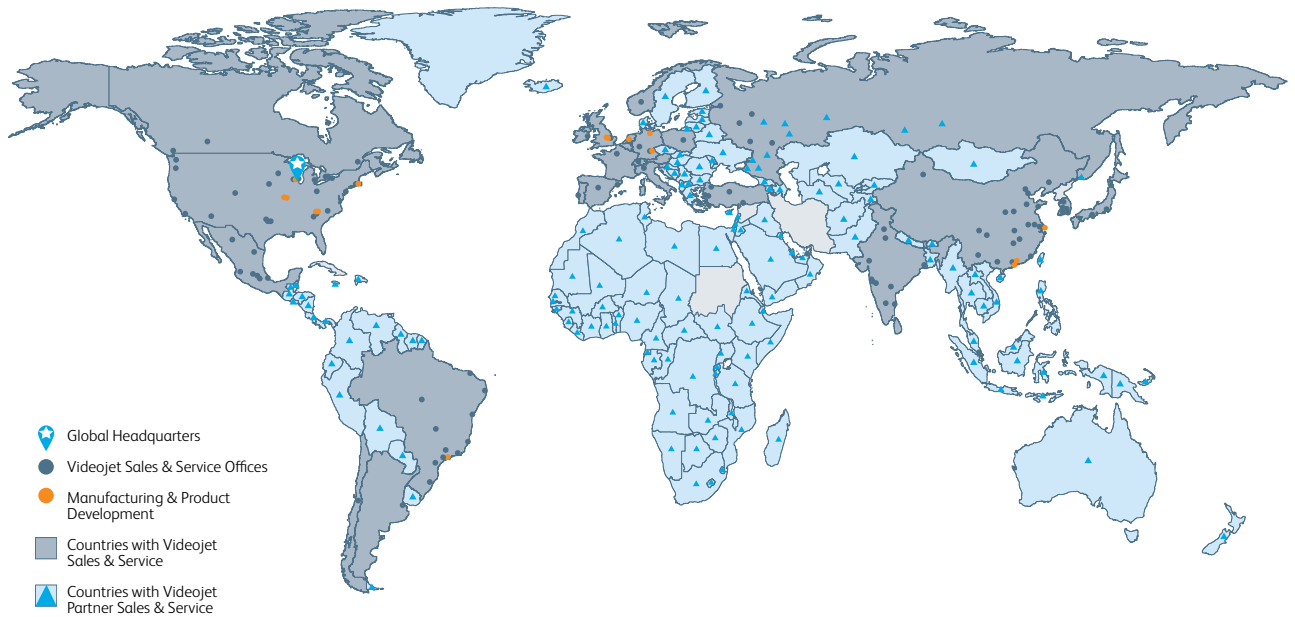


# Peace of mind comes as standard

Videojet Technologies is a world-leader in the product identification market, providing in-line printing, coding, and marking products, application specific fluids, and product LifeCycle Advantage™.

Our goal is to partner with our customers in the consumer packaged goods, pharmaceutical, and industrial goods industries to improve their productivity, to protect and grow their brands, and to stay ahead of industry trends and regulations. With our customer application experts and technology leadership in Continuous Inkjet (CIJ), Thermal Inkjet (TIJ), Laser Marking, Thermal Transfer Overprinting (TTO), case coding and labeling, and wide array printing, Videojet has more than 345,000 printers installed worldwide.

Our customers rely on Videojet products to print on over ten billion products daily. Customer sales, application, service and training support is provided by direct operations with over 4,000 team members in 26 countries worldwide. In addition, Videojet's distribution network includes more than 400 distributors and OEMs, serving 135 countries.



**New printer quote 866-871-3226**

Order supplies [shop.videojet.com](http://shop.videojet.com)  
Call **800-843-3610**  
Email [info@videojet.com](mailto:info@videojet.com)  
visit [www.videojet.com](http://www.videojet.com)

Videojet Technologies Inc.  
1500 Mittel Blvd. Wood Dale IL 60191 / USA

©2019 Videojet Technologies Inc. All rights reserved.

Videojet Technologies Inc.'s policy is one of continued product improvement. We reserve the right to alter design and/or specifications without notice.

Part No. SL000680  
br-7340-7440-us-1019  
Printed in U.S.A.

Patents pending

